

SPECIFICATIONS

Mechanical

Mating Force: 3.0kg (6.6Lb) min.
Unmating Force: 0.3kg (0.66Lb) min.
Durability : 5000 Cycles

Electrical

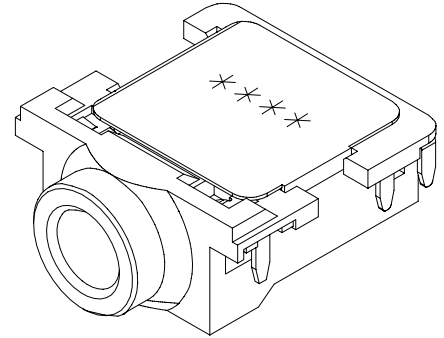
Voltage Rating: 150V max.
Current Rating: 1A max.
Contact Resistance: 50mΩ max.
Dielectric Withstanding Voltage: 500V
Insulation Resistance: 100MΩ

Physical

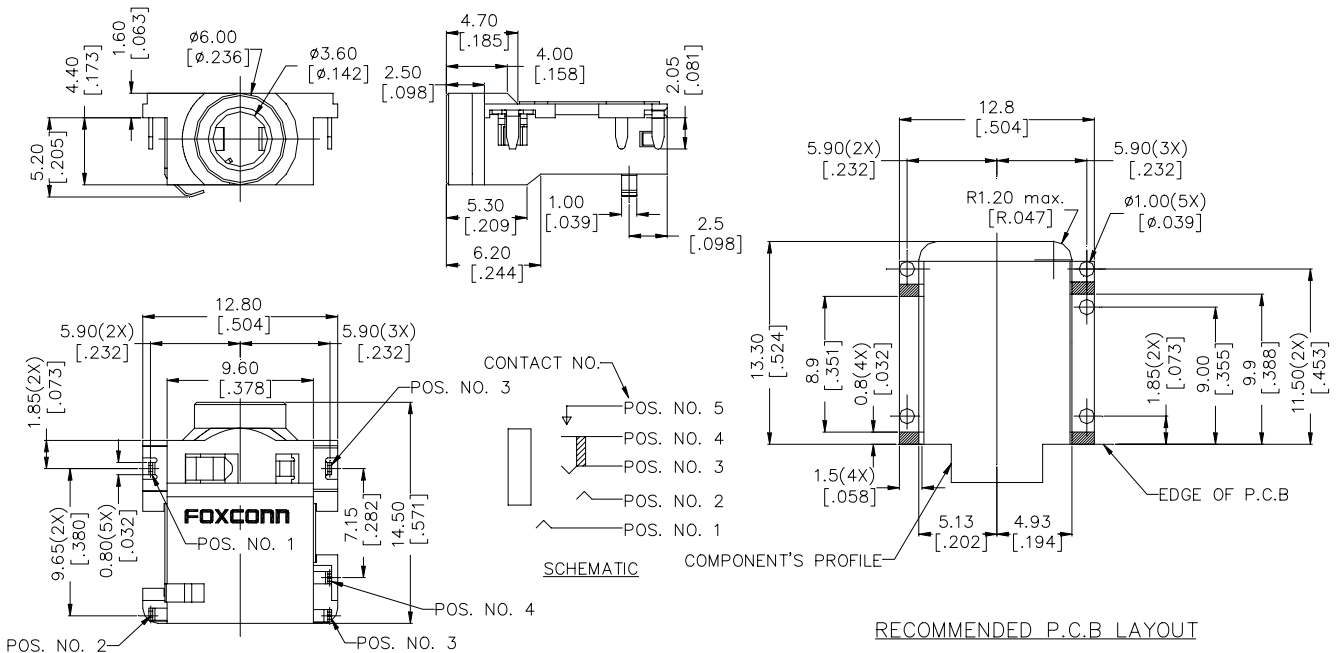
Housing: Thermoplastic, UL 94V-0
Contact: Copper alloy
Plating: See "ORDERING INFORMATION"
Metal Spring: Copper alloy
Operating Temperature: -40 to +85

AUDIO JACK Connector

JA Series
T/H Type
3 Bands
Plug Ø3.5mm
5 Pos.



DRAWING



ORDERING INFORMATION

PRODUCT NO.: JA9333L-L2S3-7F

Series Prefix J=Jack	Lead Free Process
Conn. Series A=Audio Jack	Packing Code 7=Tape Reel
Body&Termination Type 9=Single Port, Special Body Height	Tail Length 3=2.05mm
Sleeve Style 3=W/O Bushing	W/ Shell
Plug Type 3=3 Band	Schematic
Plug Diameter 3=3.50 (0.141")	Position No.
Contact Area Plating L=Pd/Ni + Gold Flash	POS. NO. 5
Housing Color L=Lime	POS. NO. 4
	POS. NO. 3
	POS. NO. 2
	POS. NO. 1